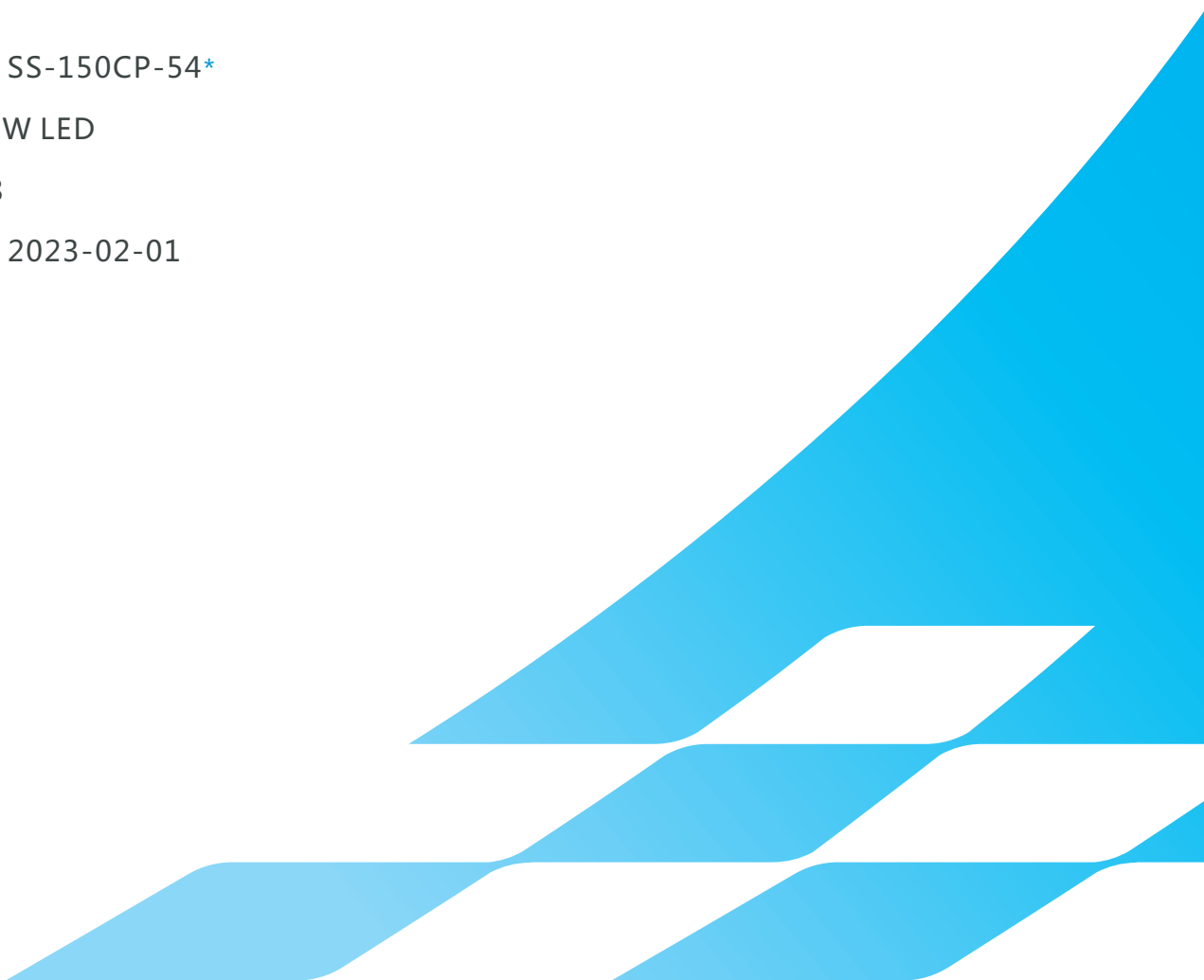


: SS-150CP-54*
: 150W LED
: V08
: 2023-02-01



LED DRIVER

LED DRIVER

- 93%
- 1-10V PWM
- IP65
- 全方位保护：短路/过温/过压/
- 防雷:共模4kV/差模4kV
- 质保5年

型号

| | | | | | | | | | |
|--------------|------------|------|--------|--------|----------|----|------|-----|----|
| SS-150CP-54* | 108-305Vac | 150W | 28-54V | 36-54V | 2.1-4.2A | 7% | 0.97 | 93% | 85 |
|--------------|------------|------|--------|--------|----------|----|------|-----|----|



| | | | | |
|--|--------|--|--------|--------|
| | 120Vac | | 277Vac | |
| | 108Vac | | 305Vac | |
| | 47Hz | | 63Hz | |
| | | | 1.7A | 108Vac |

| | | | | |
|----------|------|------|------|-----------------|
| (120Vac) | | | 50A | |
| (220Vac) | | | 95A | 冷机启动 |
| (277Vac) | | | 125A | 冷机启动 |
| | | | 10W | 220Vac/50Hz, 空载 |
| | 0.95 | 0.98 | | 220Vac/50Hz, 满载 |
| | 0.90 | | | 120-277Vac/50Hz |
| | | 7% | 13% | 220Vac/50Hz |
| | | | 17% | 220Vac/50Hz |

| | 28V | | 54V | 28-36V |
|----------|---------|-------|---------|------------------------------|
| | 36V | | 54V | $P_o = V_o \cdot I_o = 150W$ |
| | 2.8A | | 4.2A | 4.2A 36V, 2.8A 54V |
| AOC | 2.1A | | 4.2A | |
| | | | 60V | |
| @ 120Vac | 90.0% | 91.5% | | 43V/3.5A |
| @ 220Vac | 91.0% | 93.0% | | 43V/3.5A |
| @ 277Vac | 91.0% | 93.0% | | 43V/3.5A |
| | -5% | | +5% | |
| PK-AV | | 5% | 10% | |
| | | | 10% | |
| | | | 0.5S | 120Vac |
| | | | 0.5S | 220Vac |
| | -2% | | +2% | |
| | -2% | | +2% | |
| | -0.03%/ | | +0.03%/ | 0 85 |
| | 90 | 100 | 110 | > Tc Typ., < Tc Min., |
| | | | 10W | |



| | | | | | |
|-------|-----|---------------|--|-----------|----------------------------|
| 1-10V | | 0V | | 12V | DIM+ 110uA |
| | | 10%Iomax | | 100%Ioset | DIM+ /DIM- |
| | | 1V | | 10V | |
| PWM | PWM | 9.8V | | 10.2V | DIM+ 110uA |
| | PWM | 0V | | 0.3V | DIM+ /DIM- |
| | PWM | 1KHz | | 2KHz | |
| | PWM | 10% | | 100% | |
| | | 10Kohm | | 100Kohm | DIM+ 110uA |
| | | 10%Iomax | | 100%Ioset | |
| | 65 | 100,000 hours | | | 80% |
| | 76 | 55,000 hours | | | 80% |
| MTBF | | 221,000 hours | | | 220Vac, 25 (MIL-HDBK-217F) |
| | | IP65 | | | |
| | | 85 | | | |
| | | 5 | | | 75 |
| | | 1500g | | | |
| | | 151mm*71mm | | | x |

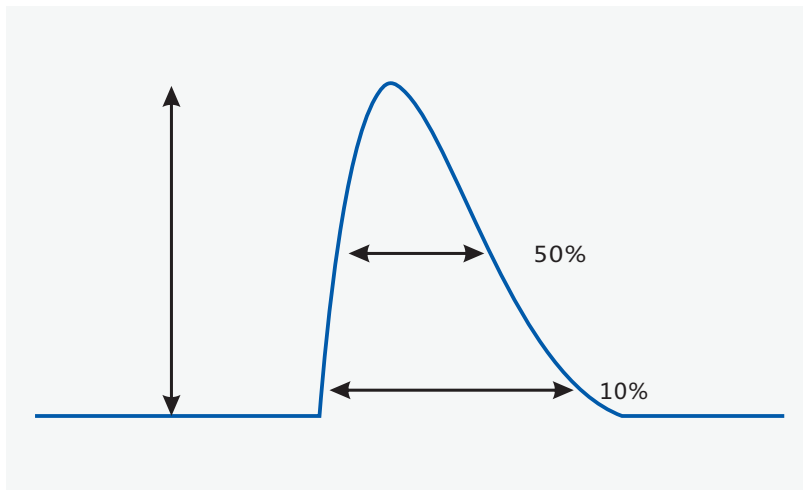
25 LED





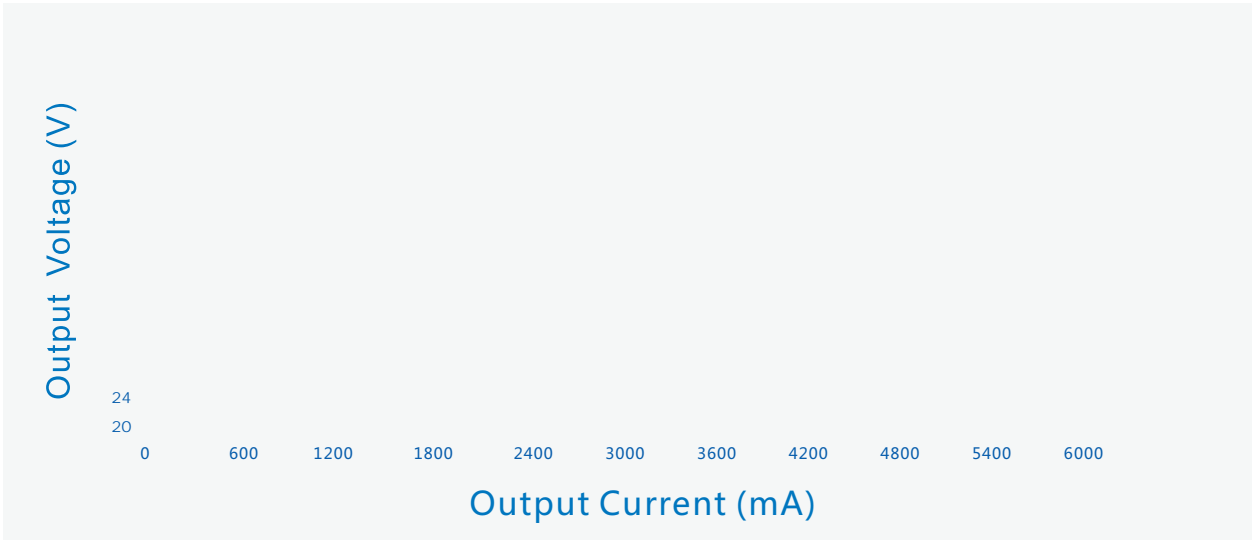
| | UL | ENEC | CCC | |
|--|---------|---------|----------|--|
| | 1600Vac | 3000Vac | 3750Vac | |
| | 1600Vac | 1500Vac | 1875Vac | |
| | 1600Vac | 3000Vac | 3750Vac | |
| | 1600Vac | 1000Vac | 1000Vac | |
| | 500Vac | 1000Vac | 1000Vac | |
| | 500Vac | 250Vac | 500Vac | |
| | 10MΩ | | 500Vdc | |
| | 0.1Ω | | 25A/1min | |
| | 0.75mA | | 277Vac | |

1. EMC
 2. LN
 3. CCC
- EMC
- IEC 60598-1:2014 10.2 " "

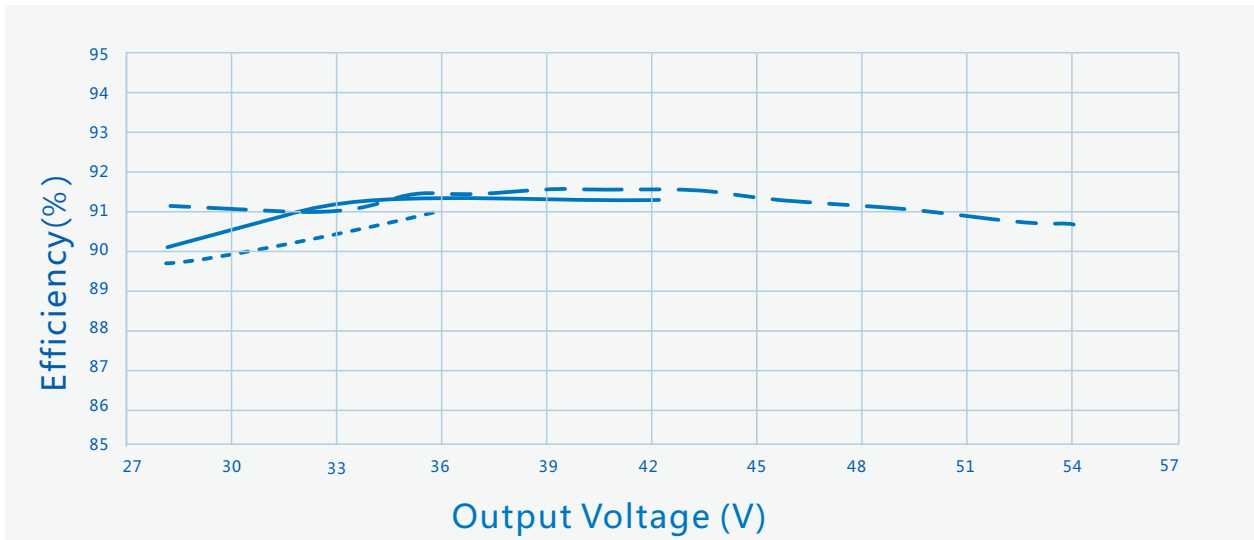


| | | T(@ 10%) | T(@ 50%) |
|--------|------|----------|----------|
| 120Vac | 50A | 600uS | |
| 220Vac | 95A | | 200uS |
| 277Vac | 125A | 500uS | |

Vs. (/AOC)



Vs. (Vin=120Vac)



----- Io=4200mA ————— Io=3500mA - - - - Io=2800mA





SHENZHEN SOSEN ELECTRONICS CO., LTD

0758-7830565

55-29358800

SHENZHEN SOSEN ELECTRONICS CO., LTD
SHENZHEN SOSEN ELECTRONICS CO., LTD
SHENZHEN SOSEN ELECTRONICS CO., LTD

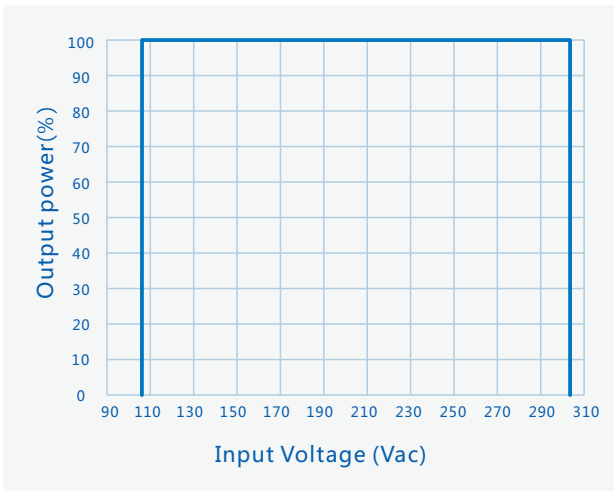
Vs.

Vs.

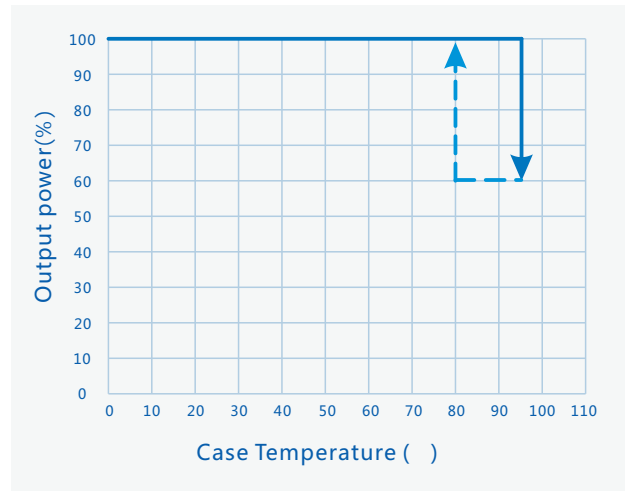


35

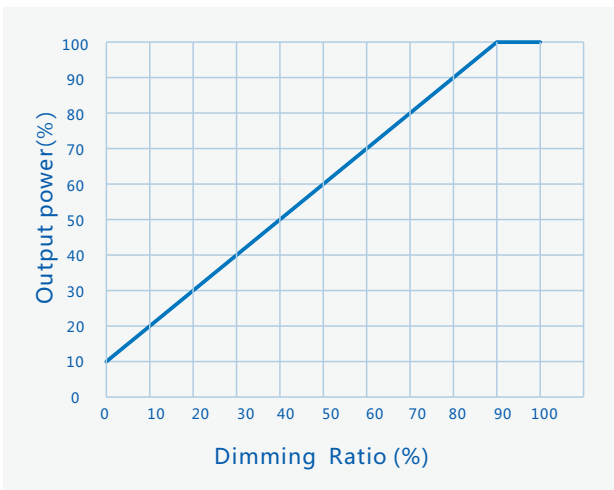
Vs. (60)



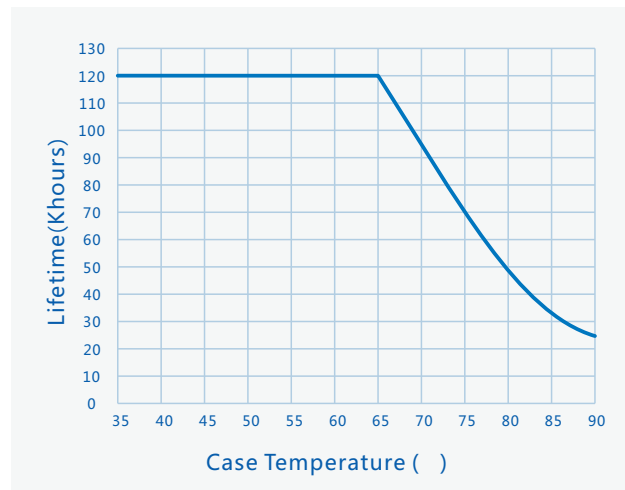
Vs.



Vs.

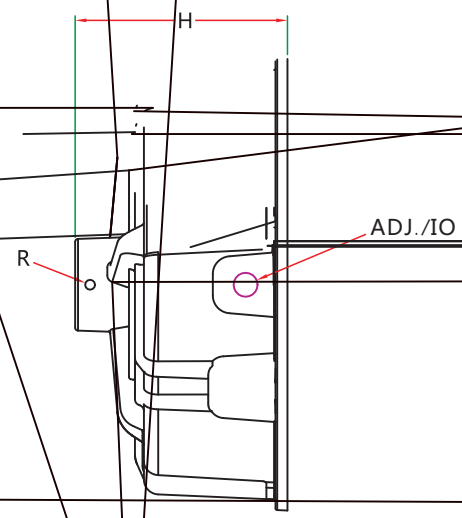
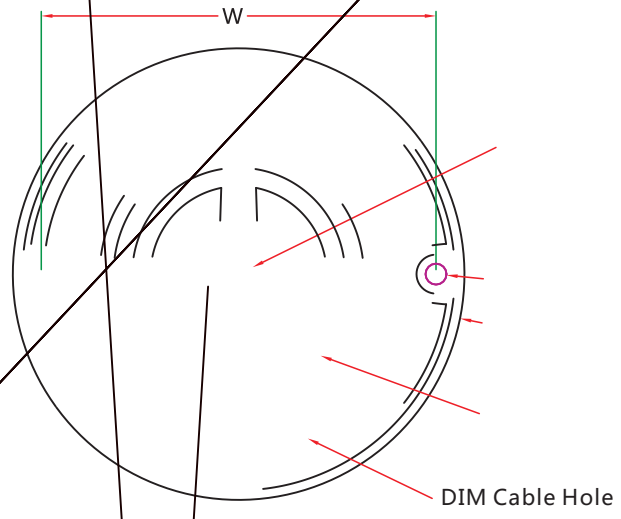


Vs.



| | | | | | | |
|------------|----------------------|----------------------|---------|---------|-------|-------|
| AC | (| 300±10mm | | | | |
| SJTW | 3*18AWG | :7.8mm | :L | :N | :⊕ | |
| H05RN-F | 3*1.0mm ² | :7.3mm | :L | :N | :⊕ | |
| SJOW | 3*17AWG | :8.0mm | :L | :N | :⊕ | |
| IS:9968 | 3*1.0mm ² | :7.4mm | :L | :N | :⊕ | |
| DC | (| 300±10mm | | | | |
| SJTW | 2*18AWG | :7.3mm | :V+ | :V- | | |
| / | H05RN-F | 2*1.0mm ² | :7.0mm | :V+ | :V- | |
| SJOW | 2*17AWG | :7.7mm | :V+ | :V- | | |
| DIM | (| 220±10mm | | | | |
| / | / | / | UL 2733 | 2*22AWG | 5.7mm | DIM+ |
| | | | | | | :DIM- |

| | | mm(In.) |
|----|-----|--------------------------------|
| PG | A | M12*1.5 |
| | 4-B | 7.0(0.28) |
| | D | 151.0(5.95) |
| | H | 71.5(2.82) |
| | Z | M12*1.75(20mm) G1/2(17mm) |
| | R | M4*0.7 |
| | W | 132.0(5.2) |
| | W1 | 132.0(5.2) |
| Tc | X | 35(1.38) |
| Tc | Y | 15(0.59) |







| | | | |
|-----|--|------------|--|
| V00 | | 2018/10/18 | |
| V01 | | 2019/04/25 | |
| V02 | | 2019/06/17 | |
| V03 | | 2019/09/09 | |
| V04 | | 2020/03/05 | |
| V05 | | 2020/05/09 | |
| V06 | | 2021/07/02 | |
| V07 | | 2021/09/02 | |
| V08 | | 2023/02/01 | |

